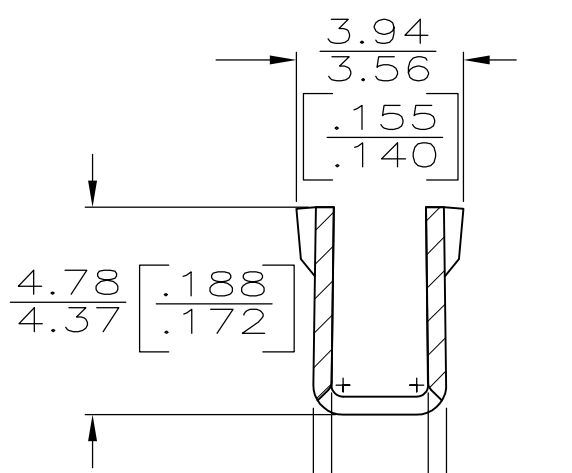
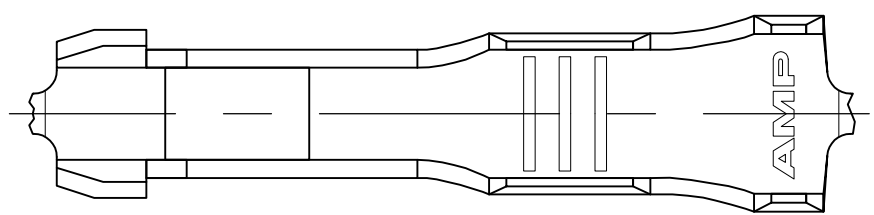
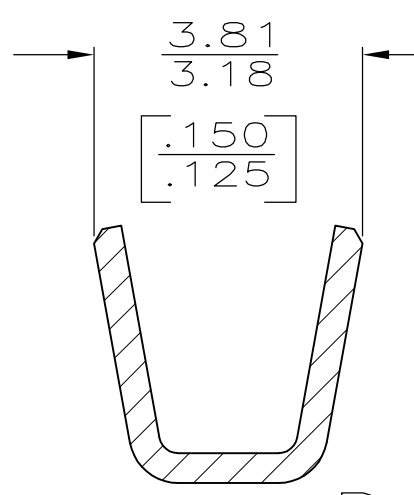
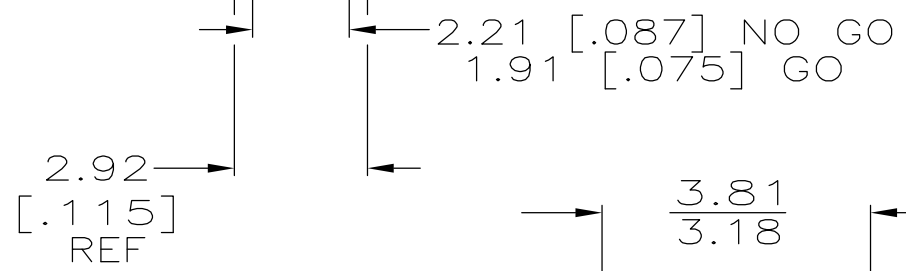
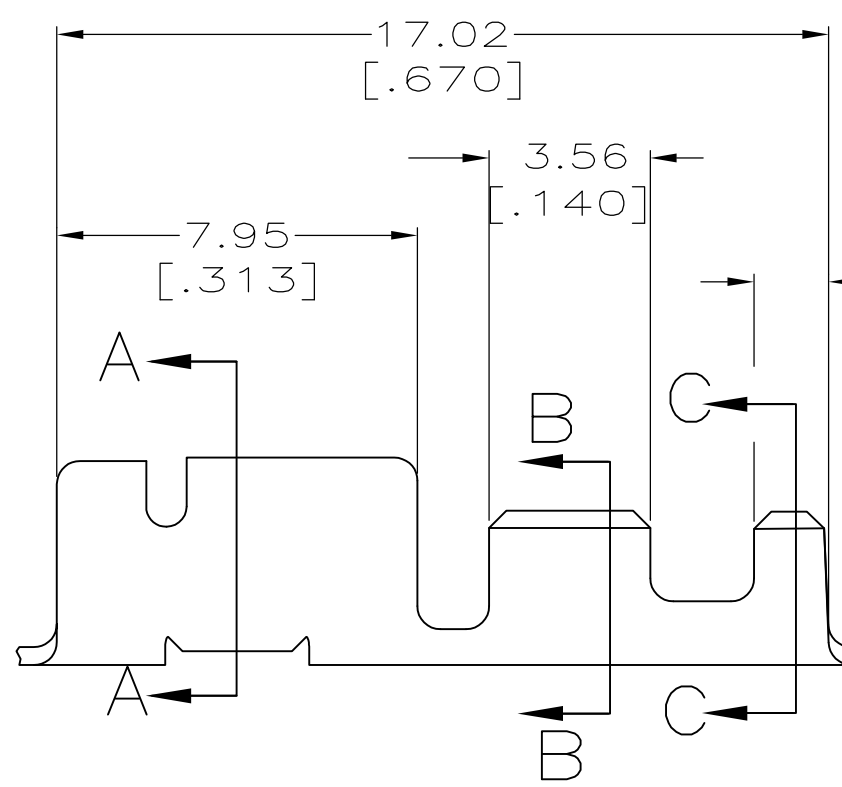


THIS DRAWING IS UNPUBLISHED. RELEASED FOR PUBLICATION  
 © COPYRIGHT BY TYCO ELECTRONICS CORPORATION. ALL RIGHTS RESERVED.

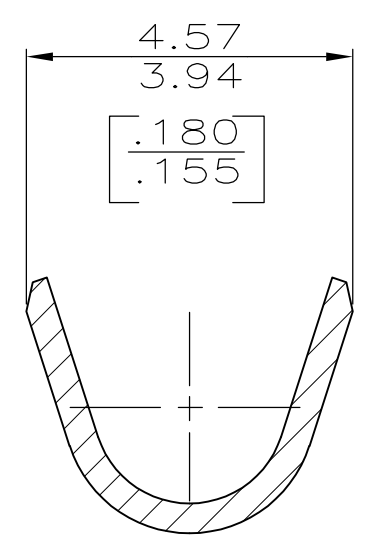
LOC	DIST	REVISIONS					
		P	LTR	DESCRIPTION	DATE	DWN	APVD
AF	50		Z4	REVISED PER ECR-08-005739	06MAR08	HMR	GP



- 1 CONTINUOUS STRIP ON REEL.
- 2 WIRE SIZE IS 18-16 AWG
- 3 INSULATION RANGE IS 1.50-2.62 [.059-.103] DIA.
- △4 0.002032 [.000080] MIN TIN PL
- △5 FOREIGN PRODUCTION ONLY - AMP BRAZIL.



SECTION B-B  
SCALE 10:1



SECTION C-C  
SCALE 10:1

MATERIAL	FINISH	PART NO
COPPER ALLOY	- △4	△5 62131-7
T3 PHOS BRONZE	△4	△5 62131-6
-	-	△5 62131-5
T3 PHOS BRONZE	△4	62131-3

THIS DRAWING IS A CONTROLLED DOCUMENT.

DIMENSIONS: INCHES	TOLERANCES UNLESS OTHERWISE SPECIFIED:
	0 PLC ± -
	1 PLC ± -
	2 PLC ± 0.25 [.010]
	3 PLC ± -
	4 PLC ± -
	ANGLES ± -
MATERIAL SEE TABLE	FINISH SEE TABLE

DWN PHILLIP M FORTNEY 20/JAN/95	Tyco Electronics Tyco Electronics Corporation Harrisburg, PA 17105-3608	NAME RECEPTACLE, CLUSTER PIN, 2.29 [.090] DIA	
CHK JEFF R RUTH 20/JAN/95		APVD R KUZO 20JAN95	RESTRICTED TO -
PRODUCT SPEC -	APPLICATION SPEC -	SIZE A3	CAGE CODE 00779
WEIGHT -	DRAWING NO C-62131	SCALE 6:1	SHEET 1 OF 1
CUSTOMER DRAWING		REV Z4	